

# AxTON

## 4 CHANNEL CLASS A/B CAR AMPLIFIER

Installation & Operation Manual / Einbau- & Bedienungsanleitung

| A544DSP

## SMART DSP

Thank you for purchasing this innovative AXTON amplifier!

To maximize the performance of this amplifier and your complete car audio system installation, we recommend you acquaint yourself thoroughly with all technical features and controlling options of this AXTON amplifier. Please read this manual carefully, before attempting the installation.

If, after reading this manual, you still have questions regarding functions or the installation of the amplifier, we recommend you consult your dealer.

## SAFETY INSTRUCTIONS

- **Do not turn on any function which may distract you while driving the vehicle.** Functions requiring sustained attention must only be used when the vehicle is at a complete standstill. Make sure to always stop your vehicle in a safe place before operating these functions. There are risks of causing an accident.
- **Keep the volume at a low level to be able to hear exterior noises while driving the vehicle.** There are risks of causing an accident.
- **Do not open the amplifier or undertake any modification of the product.** There is a risk of accident, fire or electric shock.
- **Only use this amplifier with 12V mobile applications.** Any use other than for this product intended may lead to fire, electric shock or injury.
- **Use correct amperage fuses.** There are risks of fire or electrocution.
- **Do not obstruct radiators and/or vents.** Internal overheating may occur and cause a fire.
- **Ensure all connections are properly made.** Check the section of cable and the type of cable if it does not correspond with the use. There is a risk of fire, injury and/or damage to the product.
- **Do not use screw nuts or fasteners part of the steering or braking systems for ground connection.** The fasteners and nuts used for the brake and steering systems (or any other security system) as well as various tanks must never be used for grounding. Use of these parts as ground may deactivate the vehicle's control system and cause a fire or other technical problem.
- **Keep all small objects which could be swallowed, such as the fasteners and screws, out of the reach of children.** Swallowing such objects may cause serious injuries. In the event of swallowing any of these objects, immediately seek medical advice.
- **Before starting the installation, disconnect the negative terminal of the battery** to avoid any risk of injury, fire or damage to the equipment.

## TECHNICAL SPECIFICATIONS A544DSP

### DSP

DSP type: ..... AKM7735 Dual DSP  
ADC: ..... 2x 24-bit  
DAC: ..... 2x 32-bit  
DSP MHz: ..... 2x 150 MHz  
Audio sampling frequency: ..... 192 kHz

### WIRELESS

Bluetooth power class: ..... 2  
Bluetooth power: ..... 2.5 mW / 4 dBm  
Bluetooth range: ..... 10 m  
Bluetooth Frequency: ..... 2.4 – 2.48 GHz

### AMPLIFIER

Music Power Output 4/2 ohms: ..... 30 W x 4  
RMS Power Output 4/2 ohms: ..... 25 W x 4  
Frequency response: ..... 20Hz ~ 48 kHz  
High-Level Sensitivity: ..... 4.2 Vrms  
High-Level Impedance: ..... 39 Ohms  
RCA max voltage: ..... 5 Vrms  
Supply voltage range: ..... 7.5 V – 16.5 V  
Signal to noise ratio digital input: ..... > 112 dB  
Signal to noise ratio analogue input: ..... > 106dB  
THD: ..... 1 KHz < 0.02%  
Damping factor: ..... >= 200  
Standby current: ..... 0.23 A  
Maximum operating current: ..... 20 A  
Maximum Remote output power: ..... 0.3 A  
Dimensions (WxHxD): ..... 177 x 40 x 114 mm

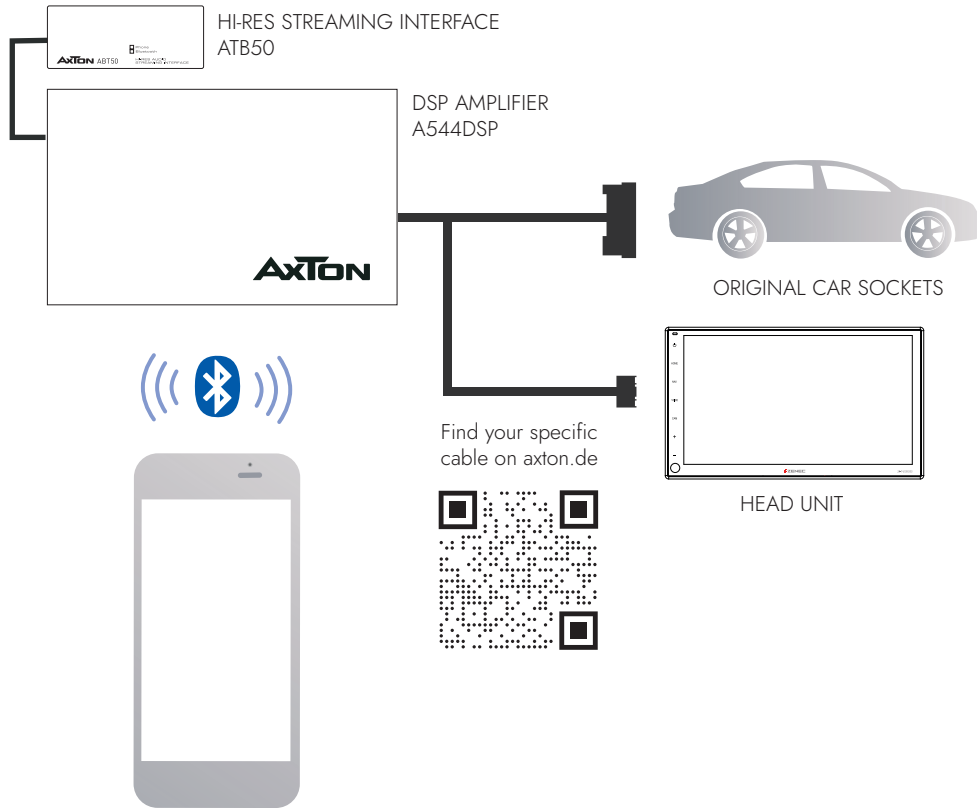
## MAIN FEATURES

- 4-channel Smart Class-A/B Amplifier with iOS or Android App controlled audio DSP functions
- 10-channel DSP-controlled preout (5 Volt) including REM out to control additional amplifiers
- Optical and coaxial Input to connect the High-Res Audio interface ABT50 or another Axton DSP
- Optical Output to link the audio signal to another Axton DSP amplifier
- Bluetooth Audio Streaming with automatic source switching
- Plug'N'Play quick installation system by optional vehicle brand and model specific ISO wire harness
- Auto-Turn-On function on high-level input

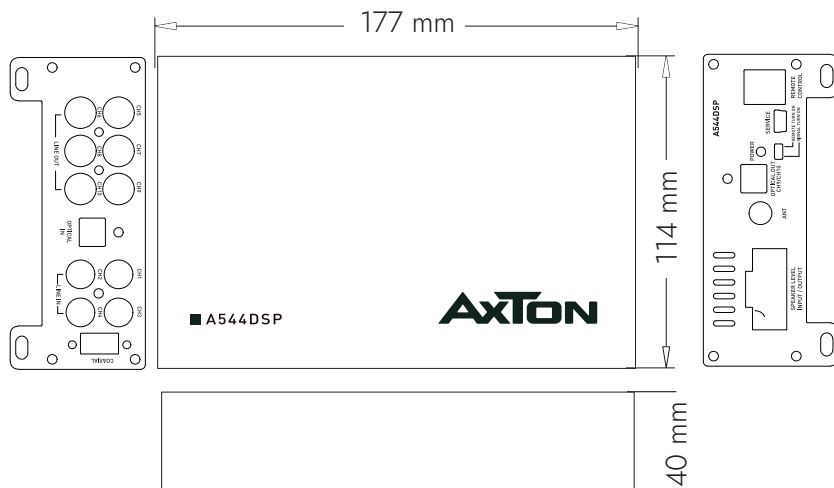
## FUNCTIONALITY & ADJUSTABILITY

- Freely configurable active crossover: High-/Low-/Band-/Bypass with 6/12/18/24dB/Oct. slope for each channel (Butterworth, Bessel or Linkwitz-Riley)
- Freely configurable 15-band parametric Equalizer for each channel
- Freely configurable 9-band parametric Input-Equalizer for each source
- Gain, Phase switch and Mute function for each channel
- Time Alignment for each channel (0 – 550 cm / 0 – 15.8 ms)
- Can save 5 memories in the amp and unlimited sound settings on the smartphone
- Dynamic Bass setting for powerful performance without subwoofer
- Noise Gate function to reduce car stereo background noise

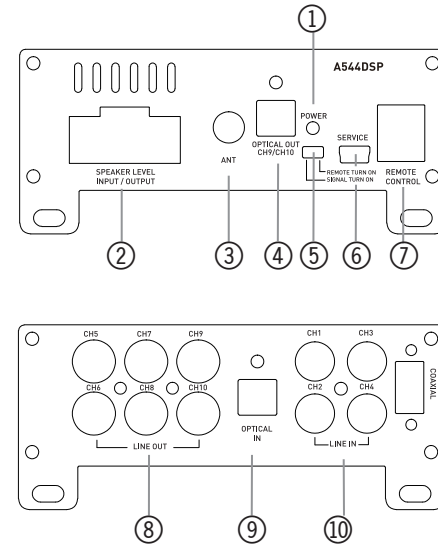
## INSTALLATION DIAGRAM A544DSP



## DIMENSIONS A544DSP



## CONNECTIONS + CONTROLS A544DSP



SPEAKER			
1	2	3	4
1*	ACC-in	11	GND
2*	Rem-out	12	+B
3	RR-in	13	FL+out
4	RR+in	14	FL-out
5	RL-in	15	FR+out
6	RL+in	16	FR-out
7	FL-in	17	RL+out
8	FL+in	18	RL-out
9	FR-in	19	RR+out
10	FR+in	20	RR-out

1\* In some cases with old headunits the Auto-Turn-On function cannot work. If you meet this problem, please connect the "ACC-IN" to the ACC/Amp Remote of the car stereo or another cable which will provide +12 V only when the car stereo is turned on. Secondly select "REMOTE TURN ON" on the remote switch.

2\* REM-Out: Connect this wire to the remote input of a separate amplifier, for example a mono amp for a subwoofer.

### ① POWER

Two color LED: Green light shows normal operation. Green light blinking shows a current data transfer, i.e. receiving data from the app. Red light shows protection mode, i.e. too low impedance.

### ② SPEAKER LEVEL INPUT/OUTPUT

This is the main connector for Plug & Play installation.

### ③ ANTENNA

External Bluetooth antenna for data and audio streaming.

### ④ OPTICAL OUTPUT CH9/CH10

To send the signals of CH9 and CH10 to another Axton DSP amplifier with optical input.

### ⑤ REMOTE / SIGNAL TURN ON

Choose if the amp shall turn on by separate ACC+/Remote wire or by DC Offset signal.

### ⑥ SERVICE

For internal use only.

### ⑦ REMOTE CONTROL

Connect the optional RC for convenient operating of Master Volume, Bass Volume and Mute function.

When you are using the ABT50 with OTG for iPhone for lossless audio transmission, the signal is sent directly avoiding any converter. That's awesome. But it also means that you are not able to adjust the volume with your iPhone. Therefore you need to connect the separate available RC.

### ⑧ LINE OUT CH5 - CH10

Extend your DSP controlled sound system by additional amplifiers (e.g. Axton A601). Connect the RCA line outs of the A544DSP with the RCA input of your amplifier.

### ⑨ OPTICAL INPUT

- a) Connect to ABT50 for lossless Hi-Res audio transmission from your smartphone.
- b) Connect another Axton DSP amplifier with optical output.

### ⑩ LINE IN CH1 - CH4

Connect the RCA outputs of the headunit to the RCA inputs CH1, CH2, CH3 and CH4

### ⑪ COAXIAL

This input provides power for the ABT50 and also receives audio data from this device. It's impossible to connect usual USB sticks.

## A544DSP MOUNTING INSTRUCTIONS

1. Before you start with the installation, make sure you know the security code of your headunit (if applicable).
2. Remove the headunit from the dashboard and disconnect the main wire harness.
3. Wiring
  - A) Plug & Play: Find a place for the A544DSP and connect the optionally available car-specific wire ([www.axton.de](http://www.axton.de)) to the amp, to the headunit and the cars main wire harness. Switch ⑤ is to be set to "Signal turn on".
  - B) RCA Line In: If you prefer using low level signal, then disconnect the speaker input cables and connect your headunit and A544DSP with the RCA interconnects. You will also need to use separate remote/ACC+ cable and switch to "Remote Turn On".
4. For Hi-Res Sound from your smartphone: Connect the optical and coaxial cables to the inputs of A544DSP and outputs of the AXTON ABT50. Connect your smartphone via Bluetooth to the ABT50 for using APTX-HD standard or use the AXTON OTG cable for absolutely lossless audio transmission: the signal is sent from your smartphone directly to the amplifier without passing any D/A converter.
5. Connect the remote control for convenient operation of the Master Volume, Bass Extender and Mute function. Recommended when using A544DSP without any headunit.
6. Connect the wire to the headunit.
7. Install the headunit back in the dashboard.

### Stand-alone installation

When you intend to use the A544DSP without any headunit, please connect the optionally available ATS-ISOFLEX cable and connect the wires according to the wiring diagram. Switch (5) is to be set to "Remote turn on".

## APP INSTALLATION A544DSP

### For Android phones only:

1. Download the A544DSP\_V1.0.apk by scan of the QR code or download from the Axton website [www.axton.de](http://www.axton.de). Install A544DSP\_V1.0.apk to your Android smart phone.
2. Turn on Bluetooth, but do not pair the A544DSP in the Bluetooth settings.
3. Make sure that you enabled "Location" in your settings.
4. Open the app and press the "Connect" button in order to connect the amp with the app.

### For iOS smart phones only:

1. Visit the Apple AppStore, search for "A544DSP" and install the app.
2. Turn on Bluetooth, but do not pair the A544DSP in the Bluetooth settings.
3. Open the app and press the "Connect" button in order to connect the amp with the app.



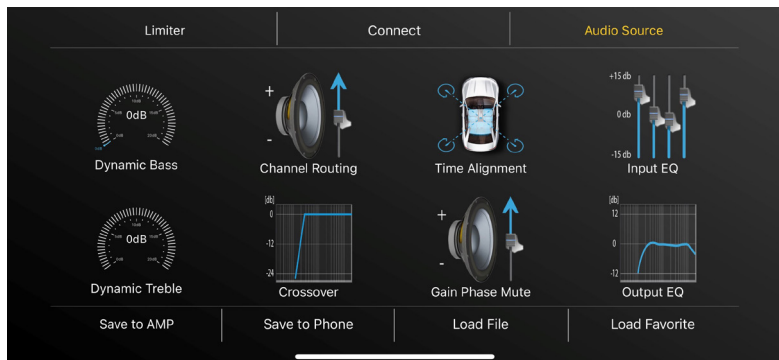
Scan to download and install the app from the Apple AppStore



Scan to download and install the app from the Axton homepage [www.axton.de](http://www.axton.de)

## BLUETOOTH AUDIO STREAMING

Open the Bluetooth settings on your smartphone and search for „BT Audio“ device. Press "connect" and enter the code "1234" to get the amp paired with your mobile. When you start playing music on your mobile, the amp automatically mute the signal from your car stereo. Please note: you cannot hear any warnings or navigation notes from your car stereo.



**Connect**

Start the app and touch the “Connect” button in the upper center of the screen. After the connection procedure is done successfully, the “Connect” button is getting green and the app downloads the current settings from the amplifier.

**Save to AMP**

When you have done the settings, touch the „Save to AMP” button and chose the favorite to transfer the settings to the amplifier. During the saving process do not switch off the amplifier as this may lead to malfunction and/or damage.

**Save to Phone**

You can save the settings on your smartphone. To do this, press „Save on Phone” button, enter the desired filename, and confirm with „OK”.

**Load File**

Shows the list of files saved on the smartphone. Touch the desired setup to load. If you want to save the loaded file permanently on the amp, press now „Save to AMP” button.

**Load Favorites**

Select one of the favorites 1 – 5.

**Dynamic Bass**

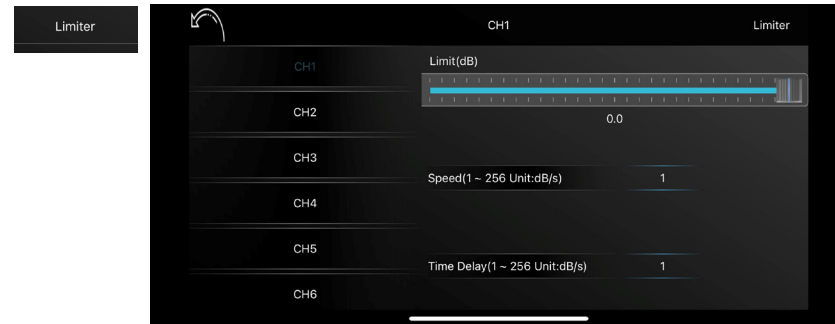
Located on the left edge of the main screen, the “Bass” slider is a very effective way to increase bass performance without overloading the speakers. Level at “0” = no Dynamic Bass function active.

Level at “1” to “10” = the higher the value the higher the bass increasing.

**Dynamic Treble**

Located on the left edge of the main screen, the “Treble” slider is a very effective way to increase Treble performance without overloading the tweeters. Level at “0” = no Dynamic treble function active. Level at “1” to “10” = the higher the value the higher the treble increasing.

**Limiter**



The limiter function is the reinsurance if you drive your car stereo hard on the limit. Turn up the volume until you listen to distortion of the sound, especially the woofers and subwoofers. Now choose the limit (db) value how much the limiter should reduce the sound volume level, choose the speed how quickly the limiter shall reduce the sound volume level and finally how long the limiter shall reduce the sound volume level.

**Audio Source**

In this menu you can choose the input signal. Analogue means the speaker signal from the headunit, Bluetooth is for the internal Bluetooth Audio module, and coaxial / optical for the corresponding input ports on the side panel of the amp.

If you choose automatic, the amp switches from analogue input to the other source once the music playback starts from that source. When music playback is stopped or paused, the amp switches back to analogue input.

**Channel Routing**



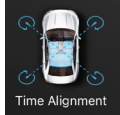
**NOTE:**

Audio Source must be set to “Analogue”



In this menu you can assign an input signal to each output channel – including desired gain level. It is also possible to combine two or more input signals to one output channel. For better convenience you can additionally label each channel.

## Time Alignment



In this menu you can apply a time delay to the speaker signal to simulate an ideal listening position.

How to do:

Note the distance between your listening position and each speaker. Choose the most distant speaker as the reference for the other speakers.

With the aid of the following example, calculate the values for your speakers:

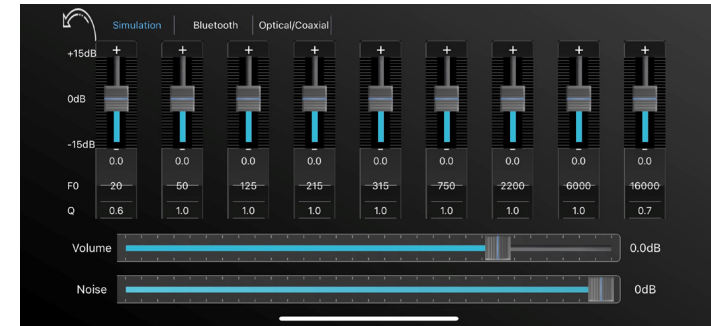
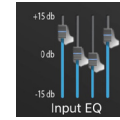
(FL)	front left is	0.80 m from the listening position
(FR)	front right is	1.40 m from the listening position
(RL)	rear left is	0.50 m from the listening position
(RR)	rear right is	1.30 m from the listening position
(SubW)	subwoofer is	2.00 m from the listening position

Value for FL = SubW – FL	FL = 2.00 – 0.80 m
Value for FR = SubW – FR	FL = 2.00 – 1.40 m
Value for RL = SubW – RL	RL = 2.00 – 0.50 m
Value for RR = SubW – RR	RR = 2.00 – 1.30 m
SubW remains at the value “0”	

Due to reflections in the cabin and probably inaccurate measuring the correct values for the listening position may differ to the calculated values. So feel free to adjust the values by +/- 5 cm until you perceive a stable and accurate front staging. If you like an absolute exactly setup, contact your Axton dealer for a professional adjustment.

The Time alignment settings also apply to the corresponding preamp outputs.

## Input EQ



Depending on the source it might be necessary to flatten the input signal to receive an accurate sound signal. This could be necessary especially in cars with basic OE speaker system without separate tweeters. Some of the OE headunits of those cars are provided with an extreme treble volume to get more treble sound out of the broadband speaker.

You can adjust the input EQ for each source separately.

You can adjust the Gain from -15 dB to + 15 dB

F0 means the frequency you would like to adjust.

You can choose a frequency from 20 – 20'000 Hz for each band. A popup window appears to enter the value of the center frequency you want.

The Q factor (Q) determines the effect of the EQ filter (bandwidth) on the frequency band around the chosen center frequency f0.

**Example1:** f0 = 1000 Hz

desired bandwidth of EQ filter = 1000 Hz (i.e. 500 Hz – 1500 Hz)

Q = 1

**Example2:** f0 = 1000 Hz

desired bandwidth of EQ filter = 200 Hz (i.e. 900 Hz – 1100 Hz)

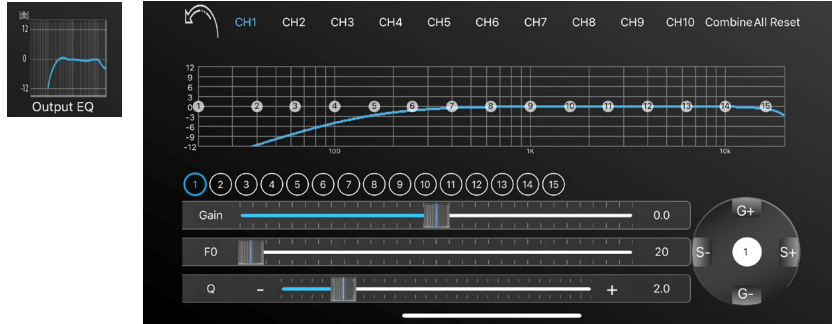
Q = 5

Q factors from 0.3 to 9.9 are possible.

## Noise Gate

The “Noise” function is intended to reduce the back ground noise of the head unit. If back ground noise of the head unit is audible, increase the Noise Gate level by sliding to the left until the noise disappeared. Please note that above a certain value the music quality also suffers.

## Output EQ



You can create your sound according to your settings in the EQ menu. Depending on the grade of required accuracy, you can adjust up to 15 bands of the parametric equalizer. In the line „f0” tap on the band you want to adjust. A pop-up window appears to enter the value of the center frequency you want. Confirm with „Ok”. In the line „Q” tap on the band you want to adjust. A pop-up window appears to enter the value of the Q factor you want. Confirm with „Ok”. Instead you can also touch „-” or „+” to adjust the Q factor in 0.1 steps. The Q factor (Q) determines the effect of the EQ filter (bandwidth) on the frequency band around the chosen center frequency f0.

**Example1:** f0 = 1000 Hz

desired bandwidth of EQ filter = 1000 Hz (i.e. 500 Hz – 1500 Hz)

Q = 1

**Example2:** f0 = 1000 Hz

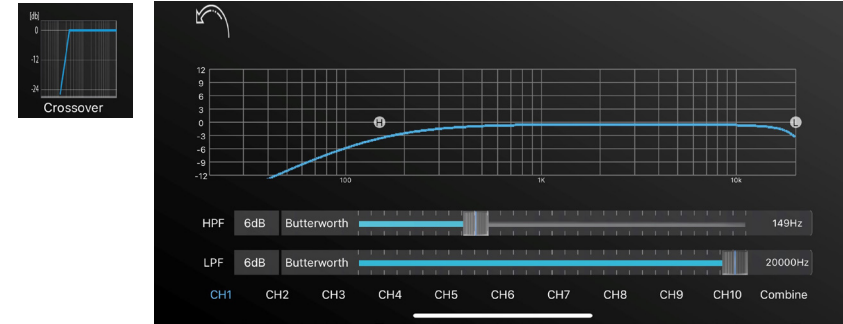
desired bandwidth of EQ filter = 200 Hz (i.e. 900 Hz – 1100 Hz)

Q = 5

Q factors from 0.3 to 9.9 are possible.

If required, you can choose independent equalizer preferences for each channel separately or for all left and right channels together. Simply use the button “Combine” in the upper right and choose to copy the values from the left channels to the right one or right to left. To reset all settings to „0”, tap the „All Reset” button in the upper right corner. If you just want to try out the presets and then go back to your personal preferences, exit without saving the app, and then restart. The app will then load your saved preferences from the amplifier. The EQ settings also apply to the corresponding preamp outputs.

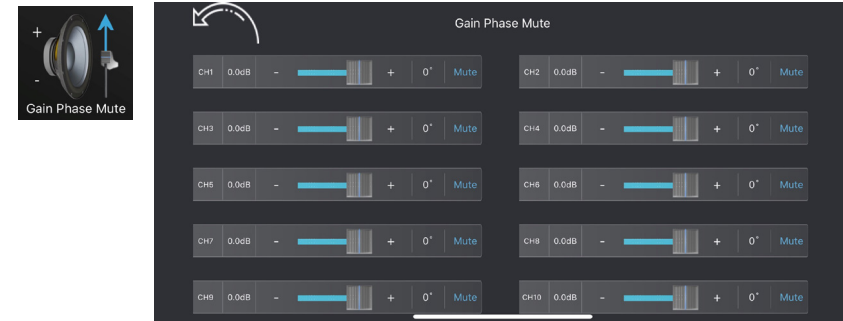
## Crossover



In this menu you can assign a frequency band to the connected speakers that corresponds to their recommended operating range. You can choose independent crossover settings for each channel separately or for all left and right channels together. Simply use the button “Combine” in the lower right and choose to copy the values from the left channels to the right one or right to left. In the “HPF” line underneath the diagram you can set the highpass filter slope (OFF, 6 dB, 12 dB, 18 dB and 24 dB), the filter characteristics (Butterworth, Bessel, Linkwitz) and the cutting frequency. In the “LPF” line underneath the diagram you can set the lowpass filter slope (OFF, 6 dB, 12 dB, 18 dB and 24 dB), the filter characteristics (Butterworth, Bessel, Linkwitz) and the cutting frequency.

The blue line in the diagram shows the set slope of the filter. Setting the slope to „OFF” means the signal is unfiltered and contains all frequencies. The filter settings also apply to the corresponding preamp outputs.

## Gain Phase Mute



In this menu you can adjust the following settings for each individual channel: sound level, mute and phase.

Adjust the gain by using the slider or with the +/- buttons.

Tap on 0 to switch between Phase 0 degrees or 180 degrees (inverted phase)

Tap on Mute to turn the channel off or on.

The Gain/Phase/Mute settings also apply to the corresponding preamp outputs.

Wir danken Ihnen für den Kauf dieser innovativen AXTON Endstufe.

Damit Sie die Wiedergabequalität und die Leistungsfähigkeit dieses Verstärkers voll ausschöpfen können, bitten wir Sie, sich eingehend mit den Möglichkeiten und technischen Features dieses Verstärkers vertraut zu machen. Lesen Sie deshalb die nachfolgenden Abschnitte sorgfältig durch und bewahren Sie diese Bedienungsanleitung auf.

Falls Sie im Anschluss weitergehende Fragen zu den Funktionen oder dem Anschluss dieser Endstufe haben, kontaktieren Sie Ihren Händler.

#### SICHERHEITSHINWEISE

- **Bedienen Sie keine Funktion, die Sie während der Autofahrt ablenken könnte.** Funktionen, welche Ihre besondere Aufmerksamkeit erfordern, dürfen ausschliesslich genutzt werden, wenn das Fahrzeug stillsteht. Stellen Sie sicher, dass Sie an einem sicheren Ort parken, bevor Sie das Gerät bedienen. Es besteht sonst ein hohes Risiko eines Unfalls.
- **Halten Sie die Lautstärke auf einem Level, wo Sie noch Geräusche von aussen wahrnehmen können.** Es besteht sonst ein hohes Risiko eines Unfalls.
- **Öffnen und/oder modifizieren Sie das Produkt nicht.** Es besteht sonst ein hohes Risiko eines Unfalls, Feuers oder elektrischen Schlags.
- **Der Verstärker ist ausschliesslich für Anwendungen in PKW mit einem 12 Volt Bordnetz mit (-) Masse vorgesehen.** Es besteht bei anderweitiger Verwendung ein hohes Risiko eines Unfalls, Feuers oder elektrischen Schocks.
- **Verwenden Sie für den Masseanschluss keine Mutter oder Befestigungen der Bremse, Lenkung oder des Tanks.** Die Nutzung dieser Teile kann die Sicherheitseinrichtungen des Fahrzeugs deaktivieren oder zu Fehlfunktionen führen. Es besteht daher ein hohes Risiko eines Unfalls oder Feuers.
- **Verdecken oder behindern Sie keine Öffnungen oder Ventilatoren.** Durch Überhitzung besteht die Gefahr eines Feuers.
- **Stellen Sie sicher, dass alle Anschlüsse korrekt sind.** Es besteht sonst ein hohes Risiko eines Unfalls, Feuers oder elektrischen Schocks.
- **Halten Sie kleine Objekte, wie zum Beispiel Schrauben und Muttern von Kindern fern.** Ein Verschlucken solcher Objekte kann schwerwiegende Folgen für die Gesundheit haben. Im Fall eines Verschluckens suchen Sie umgehend ärztliche Hilfe.
- **Trennen Sie vor der Installation den Minus-Pol von der Batterie,** um Verletzungen oder Beschädigungen am Produkt oder Fahrzeug zu vermeiden.

#### TECHNISCHE SPEZIFIKATIONEN A544DSP

##### DSP

DSP type: ..... AKM7735 Dual DSP  
ADC: ..... 2x 24-bit  
DAC: ..... 2x 32-bit  
DSP MHz: ..... 2x 150 MHz  
Audio sampling frequency: ..... 192 kHz

##### WIRELESS

Bluetooth Klasse: ..... 2  
Bluetooth Leistung: ..... 2.5 mW / 4 dBm  
Bluetooth Reichweite: ..... 10 m  
Bluetooth Frequenz: ..... 2.4 – 2.48 GHz

##### VERSTÄRKER

Musik-Ausgangsleistung 4/2 Ohm: ..... 30 W x 4  
RMS Ausgangsleistung 4/2 Ohm: ..... 25 W x 4  
Wiedergabebereich: ..... 20Hz ~ 48 kHz  
High-Level Empfindlichkeit: ..... 4.2 Vrms  
High-Level Empfindlichkeit: ..... 39 Ohm  
RCA max Spannung: ..... 5 Vrms  
Betriebsspannung: ..... 7.5 V – 16.5 V  
Signal- / Rauschabstand Digital-Eingang: > 112 dB  
Signal- / Rauschabstand Analog-Eingang: > 106 dB  
THD: ..... 1 kHz < 0.02%  
Dämpfungsfaktor: ..... >= 200  
Leerlaufstromaufnahme: ..... 0.23 A  
Maximale Stromaufnahme: ..... 20 A  
Max. Remote-Ausgangsstrom: ..... 0.3 A  
Dimensions (LxHxB): ..... 177 x 40 x 114 mm

#### HAUPTMERKMALE

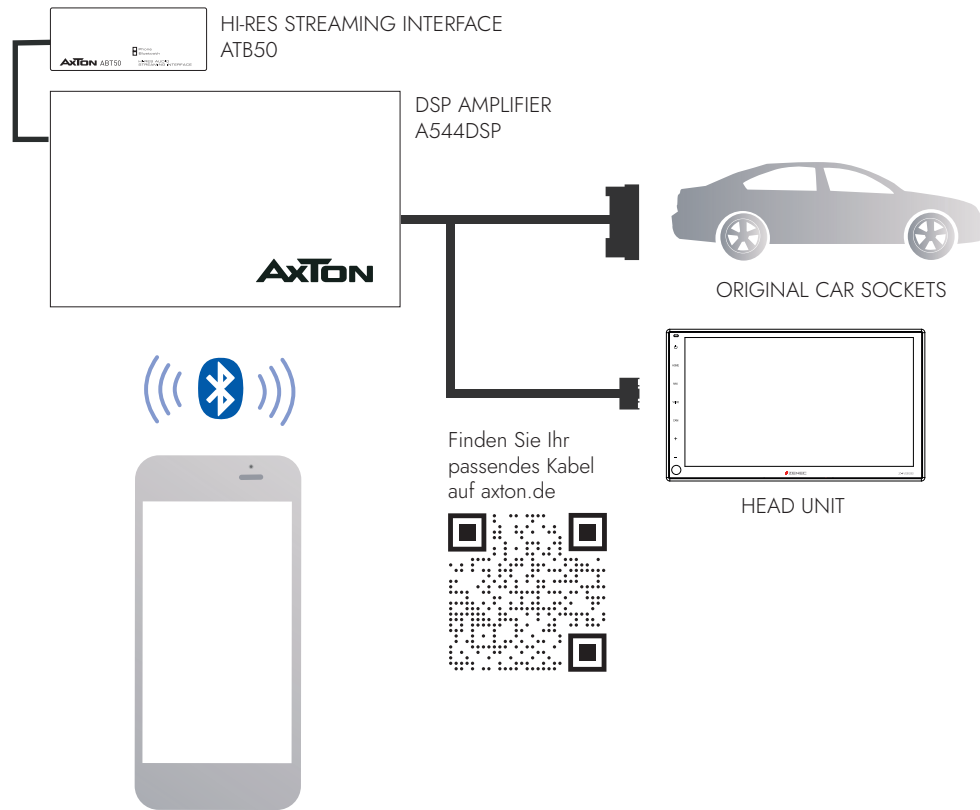
- 4-Kanal Smart Class-A/B Amplifier mit iOS oder Android App kontrollierten Audio DSP Funktionen
- 10-Kanal DSP-kontrollierter Vorverstärkerausgang (5 Volt) inklusive Remote-Ausgang zum Ansteuern zusätzlicher Verstärker
- Optischer und koaxialer Eingang für das High-Res Audio Interface ABT50 oder einen anderen Axton DSP
- Optischer Ausgang zum Verlinken des Signals zu einem weiteren Axton DSP Verstärker
- Bluetooth Audio Streaming mit automatischer Quellenumschaltung
- Plug'N'Play Installation mit optionalen fahrzeugspezifischen Anschlusskabeln
- Auto-Turn-On Funktion über High-Level Eingang

#### FUNKTIONEN & EINSTELLMÖGLICHKEITEN

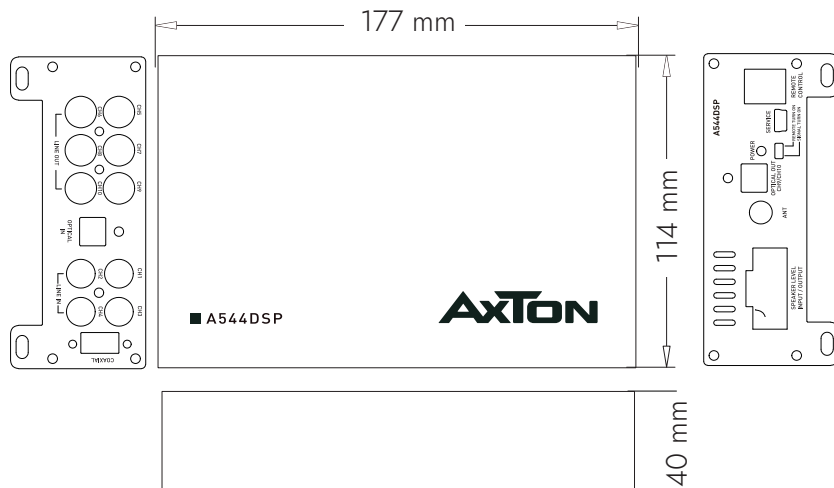
- Frei einstellbare Aktivweiche: Hoch-/Tief-/Band-/Bypass mit 6/12/18/24 dB/Oct. Flankensteilheit pro Kanal (Butterworth, Bessel oder Linkwitz-Riley)
- Frei einstellbarer 15-Band parametrischer Equalizer pro Kanal
- Frei einstellbarer 9-Band parametrischer Equalizer pro Eingangsquelle
- Gain, Phasenschalter und Mute Funktion pro Kanal
- Laufzeitkorrektur pro Kanal einstellbar (0 – 550 cm / 0 – 15.8 ms)
- Speicherplätze für eigene Settings: 5 auf dem Verstärker, unlimitiert auf dem Smartphone
- Dynamic Bass Funktion für kraftvolle Performance ohne Subwoofer
- Noise Gate Funktion zum Reduzieren des Grundrauschens des Radios



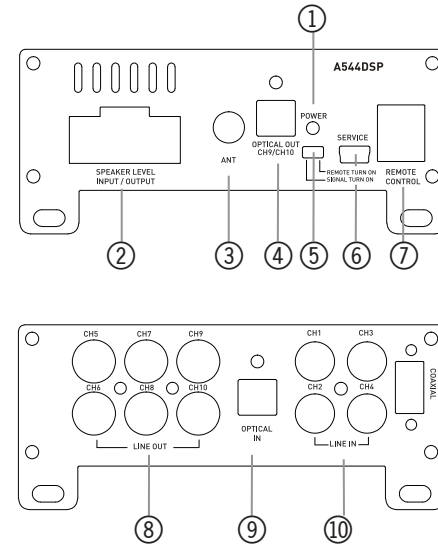
## INSTALLATIONSSCHEMA



## DIMENSIONS A544DSP



## ANSCHLÜSSE + BEDIENUNGSELEMENTE A544DSP



SPEAKER			
1	2	3	4
1*	ACC-in	11	GND
2*	Rem-out	12	+B
3	RR-in	13	FL+out
4	RR+in	14	FL-out
5	RL-in	15	FR+out
6	RL+in	16	FR-out
7	FL-in	17	RL+out
8	FL+in	18	RL-out
9	FR-in	19	RR+out
10	FR+in	20	RR-out

1\* In seltenen Fällen wird die Auto-Turn-On Funktion mit älteren Autoradios nicht arbeiten. Falls Sie auf dieses Problem treffen, verbinden Sie bitte das „ACC-IN“ Kabel mit dem ACC/Amp Remote Anschluss des Radios oder einem anderen Kabel, welches +12 V liefert, sobald das Radio eingeschaltet ist. Wählen Sie zweitens „REMOTE TURN ON“ auf dem Remoteschalter.

2\* REM-Out: Schliessen Sie dieses Kabel an den Remote-Eingang eines separaten Verstärkers an, zum Beispiel einen Monoblock für einen Subwoofer.

### ① POWER

Zwei-Farben-LED: Grün zeigt normalen Betrieb. Grün blinkend zeigt einen Datentransfer an, z.B. Datenempfang von der App. Eine rote LED bedeutet Protect Mode, z.B. bei zu tiefer Impedanz der angeschlossenen Lautsprecher.

### ② SPEAKER LEVEL INPUT/OUTPUT

Das ist der Hauptanschluss für die Plug & Play Installation.

### ③ ANTENNA

Anschluss für die externe Bluetooth Antenne für das Daten- und Audio Streaming.

### ④ OPTISCHER AUSGANG CH9/CH10

Zum Weiterleiten der Signale von CH9 und CH10 zu einem anderen Axton DSP Verstärker mit optischem Eingang.

### ⑤ REMOTE / SIGNAL AUSGANG CH9/CH10L TURN ON

Wählen Sie, ob der Verstärker durch ein separates ACC+ Kabel oder durch das DC Offset Signal eingeschaltet werden soll.

### ⑥ SERVICE

Nur für den internen Gebrauch.

### ⑦ REMOTE CONTROL

Schliessen Sie die optionale Fernbedienung an, um bequem die Gesamtlautstärke, den Bass Boost oder die Mute-Funktion zu steuern.

Wenn Sie den ABT50 mit dem OTG Kabel für iPhone für eine verlustfreie Übertragung

der Audio-Daten nutzen, wird das Signal, unter Umgehung jeglicher D/A und A/D Wandler, direkt an den Verstärker gesendet. Das ist grossartig. Das bedeutet allerdings auch, dass Sie die Lautstärke nicht mehr über das iPhone regeln können. Dieser Umstand macht die Verwendung der Fernbedienung notwendig.

#### ⑧ LINE OUT CH5 - CH10

Erweitern Sie Ihr DSP-gesteuertes Soundsystem durch zusätzliche Verstärker (z.B. Axton A601). Verbinden Sie die Cinch-Ausgänge des A544DSP mit dem Cinch-Eingang Ihres Verstärkers.

#### ⑨ OPTICAL INPUT

- Überträgt die Hi-RES Audio Daten des Smartphones verlustfrei vom ABT50 zum Verstärker.
- Zum Anschluss eines Axton DSP Verstärkers mit optischem Ausgang.

#### ⑩ LINE IN CH1 - CH4

Verbinden Sie die RCA-Ausgänge des Hauptgeräts mit den RCA-Eingängen CH1, CH2, CH3 und CH4.

#### ⑪ COAXIAL

Dieser Eingang versorgt den ABT50 mit Strom und empfängt wiederum die Audio Daten von diesem Interface. Es ist nicht möglich, einen USB Stick anzuschliessen.

### MONTAGEANLEITUNG A544DSP

- Bevor Sie beginnen, vergewissern Sie sich, dass Sie den Diebstahlcode Ihres Autoradios kennen (falls es eine Code-Sperre hat).
- Entfernen Sie das Radio aus dem Radioschacht. Beachten Sie dabei die Anleitung des Herstellers.
- Anschluss
  - Suchen Sie sich einen geeigneten Platz für den A544DSP und verbinden Sie das optionale Anschlusskabel (siehe [www.axton.de](http://www.axton.de)) mit dem Verstärker. Stellen Sie den Schalter ⑤ auf „Signal TURN ON“
  - RCA Cinch: Wenn Sie die Signalübertragung über Cinchkabel bevorzugen, trennen Sie die Lautsprecher Eingangssignale und verbinden Sie Ihr Radio und den A544SP mit Cinchkabeln Ihrer Wahl. Sie müssen ebenfalls die separate Remote/ACC+ Leitung anschliessen und den Schalter auf „Remote Turn On“ stellen.
- Optional: Für Hi-Res Sound von Ihrem Smartphone: Verbinden Sie den A544DSP und den ABT50 mit einem Koaxialkabel und einem Lichtleiterkabel. Verbinden Sie Ihr Smartphone danach mit dem ABT50. Mit dem APTX-HD Standard senden Sie nahezu verlustfrei Hi-Res Audio-Daten an den A544DSP. Bei Verwendung eines OTG Kabels sogar absolut verlustfrei durch Umgehen sonst notwendigen D/A Wandler oder Komprimierungssoftware.
- Optional: Schliessen Sie die separat erhältliche Fernbedienung an, um bequem die Gesamtlautstärke, den Bass Boost und die Mute Funktion zu steuern. Wir empfehlen die Fernbedienung insbesondere beim Betrieb des A544DSP ohne Radio.
- Verbinden Sie das Anschlusskabel mit dem Radio.
- Installieren Sie das Radio wieder im Radioschacht gemäss Herstelleranleitung.

#### Stand-alone Installation

Wenn Sie den A544DSP ohne einem Radio verwenden möchten, schliessen Sie bitte das optional erhältliche ATS-ISOFLX Kabel an und verbinden Sie die Drähte gemäß dem Schaltplan. Der Schalter (5) muss auf „Remote turn on“ gestellt werden.

### APP INSTALLATION A544DSP

#### Nur für Android Smartphones:

- Laden Sie die A544DSP\_V1.0.apk App über den QR-Code oder von der Axton Webseite [www.axton.de](http://www.axton.de) herunter. Installieren Sie A544DSP\_V1.0.apk auf Ihrem Android Smartphone.
- Schalten Sie Bluetooth ein, aber koppeln Sie nicht den A544DSP in den Bluetooth Einstellungen.
- Stellen Sie sicher, dass die Standortfreigabe aktiviert ist.
- Öffnen Sie die A544DSP App und berühren Sie den "Connect" Button, um den Verstärker mit der App zu verbinden.

#### Nur für iOS Smartphones:

- Gehen Sie in den Apple AppStore, suchen Sie nach „A544DSP“ und laden Sie die App auf Ihr Smartphone.
- Schalten Sie Bluetooth ein, aber koppeln Sie nicht den A544DSP in den Bluetooth Einstellungen.
- Öffnen Sie die A544DSP App und berühren Sie den "Connect" Button, um den Verstärker mit der App zu verbinden.



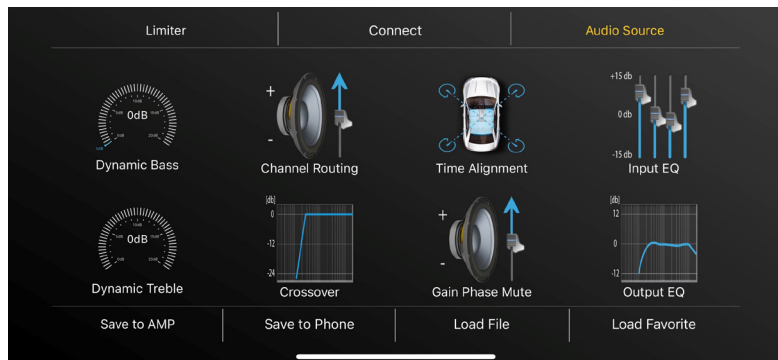
Scannen zum Download und zur Installation der APP aus Apple AppStore



Scannen zum Download und zur Installation der APP von der Axton Homepage [www.axton.de](http://www.axton.de)

### BLUETOOTH AUDIO STREAMING

Öffnen Sie die Bluetooth Einstellung auf Ihrem Smartphone und suchen Sie das Gerät „BT Audio“. Drücken Sie „Verbinden“ und geben Sie den Code 1234 ein, um Ihr Smartphone mit dem Verstärker zu koppeln. Wenn Sie nun die Musikkwiedergabe starten, wird das Radiosignal automatisch stummgeschaltet. Beachten Sie bitte, dass Sie während der BT Audio Wiedergabe auch keine Warnhinweise oder Navigationsdurchsagen des Radios hören.



**Connect/Verbinden**

Starten Sie die App und tippen Sie auf die Schaltfläche "Connect" in der oberen Mitte des Bildschirms. Nach erfolgreichem Verbindungsvorgang wird die Schaltfläche "Verbinden" grün und die App lädt die aktuellen Einstellungen vom Verstärker herunter.

**Save to AMP/Auf AMP speichern**

Wenn Sie Ihre Einstellungen vorgenommen haben, tippen Sie auf die Schaltfläche "Save to AMP" und wählen Sie den Favoriten, um die Einstellungen auf den Verstärker zu übertragen. Schalten Sie den Verstärker während des Speichervorgangs nicht aus, da dies zu Fehlfunktionen und/oder Schäden führen kann.

**Save to Phone/Auf dem Telefon speichern**

Sie können die Einstellungen auf Ihrem Smartphone speichern. Drücken Sie dazu die Taste "Save on Phone", geben Sie den gewünschten Dateinamen ein und bestätigen Sie mit "OK".

**Load File/Datei laden**

Zeigt die Liste der auf dem Smartphone gespeicherten Dateien an. Berühren Sie die gewünschte Einstellung, um sie zu laden. Wenn Sie die geladene Datei dauerhaft auf dem Verstärker speichern möchten, drücken Sie nun die Taste "Save to AMP".

**Load Favorites/Favoriten laden**

Wählen Sie einen der Favoriten 1 - 5.

**Dynamic Bass/ Dynamischer Bass**

Der Schieberegler "Bass" befindet sich am linken Rand des Hauptbildschirms und ist eine sehr effektive Möglichkeit, die Bassleistung zu erhöhen, ohne die Lautsprecher zu überlasten. Pegel auf "0" = keine Dynamic Bass-Funktion aktiv.

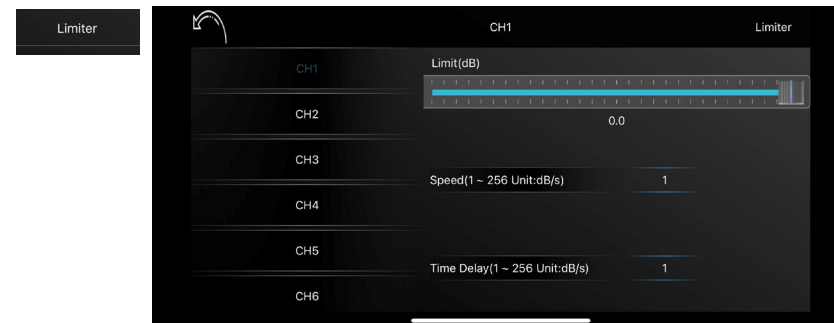
Pegel auf "1" bis "10" = je höher der Wert, desto stärker die Bassanhebung.

**Dynamic Treble/Dynamische Höhen**

Der Schieberegler "Treble" befindet sich am linken Rand des Hauptbildschirms und ist eine sehr effektive Möglichkeit, die Höhenleistung zu erhöhen, ohne die Hochtöner zu überlasten. Pegel auf "0" = keine Dynamic Treble-Funktion aktiv.

Pegel auf "1" bis "10" = je höher der Wert, desto stärker die Anhebung der Höhen.

**Limiter/Begrenzer**



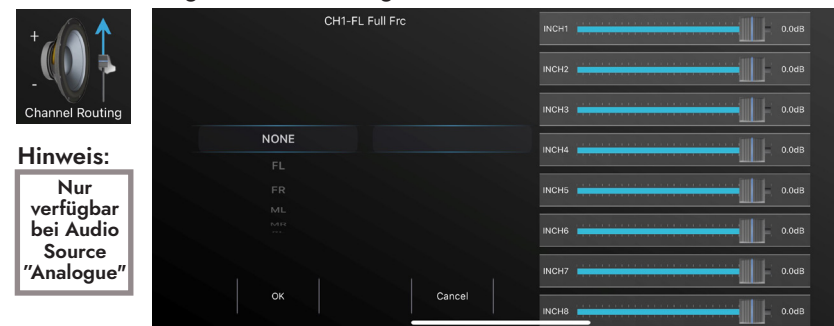
Die Limiter-Funktion ist die Rückversicherung, wenn Sie Ihre Car-Audio Anlage hart am Limit fahren. Drehen Sie die Lautstärke so weit auf, bis Sie eine Verzerrung des Tons hören, insbesondere bei den Tieftönern und Subwoofern. Wählen Sie nun den Wert (db), um wieviel der Limiter die Lautstärke reduzieren soll, wählen Sie die Geschwindigkeit (Speed), wie schnell der Limiter die Lautstärke reduzieren soll und schließlich wie lange (Time Delay) der Limiter die Lautstärke reduzieren soll.

**Audio Source/Audio-Quelle**

In diesem Menü können Sie das Eingangssignal auswählen. „Analog“ bedeutet das Lautsprechersignal vom Autoradio, Bluetooth ist für das interne Bluetooth-Audiomodul und Koaxial / Optisch für die entsprechenden Eingangsanschlüsse an der Seite des Verstärkers.

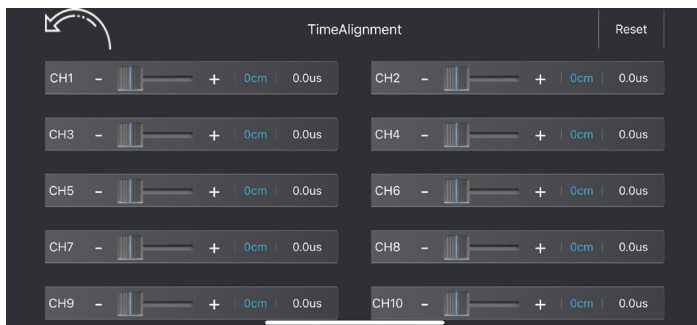
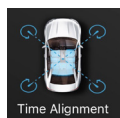
Wenn Sie die automatische Einstellung wählen, schaltet der Verstärker vom analogen Eingang auf die andere Quelle um, sobald die Musikwiedergabe von dieser Quelle beginnt. Wenn die Musikwiedergabe gestoppt oder pausiert wird, schaltet der Verstärker wieder auf den analogen Eingang um.

**Channel Routing/Kanal-Verteilung**



In diesem Menü können Sie jedem Ausgangskanal ein Eingangssignal zuordnen - einschließlich des gewünschten Verstärkungspegels. Es ist auch möglich, zwei oder mehr Eingangssignale zu einem Ausgangskanal zu kombinieren. Zur besseren Übersichtlichkeit können Sie jeden Kanal zusätzlich benennen.

## Time Alignment/Laufzeitkorrektur



In diesem Menü können Sie eine Zeitverzögerung auf das Lautsprechersignal anwenden, um eine ideale Hörposition (ihr Ohr) zu simulieren.

So gehen Sie vor:

Notieren Sie den Abstand zwischen Ihrer Hörposition und den einzelnen Lautsprechern. Wählen Sie den am weitesten entfernten Lautsprecher als Referenz für die anderen Lautsprecher.

Berechnen Sie mit Hilfe des folgenden Beispiels die Werte für Ihre Lautsprecher:

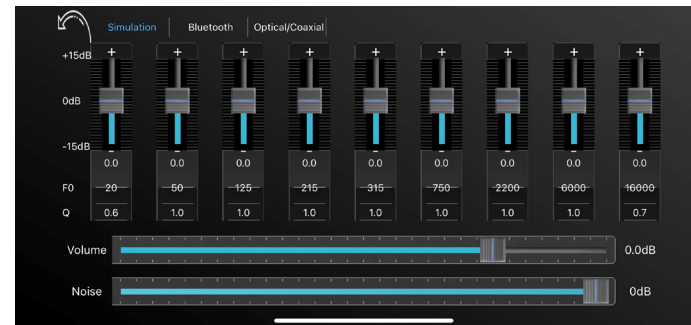
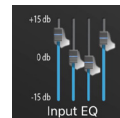
(FL)	Front Links ist	0.80 m von der Hörposition
(FR)	Front Rechts ist	1.40 m von der Hörposition
(RL)	Hinten Links ist	0.50 m von der Hörposition
(RR)	Hinten Rechts ist	1.30 m von der Hörposition
(SubW)	Subwoofer ist	2.00 m von der Hörposition

Wert von FL = SubW – FL	FL = 2.00 – 0.80 m
Wert von FR = SubW – FR	FR = 2.00 – 1.40 m
Wert von RL = SubW – RL	RL = 2.00 – 0.50 m
Wert von RR = SubW – RR	RR = 2.00 – 1.30 m
SubW bleibt auf dem Wert "0"	

Aufgrund von Reflexionen im Fahrgastraum und möglicherweise ungenauen Messungen der Abstände können die korrekten Werte für die Hörposition von den berechneten Werten abweichen. Sie können die Werte also gerne um +/- 5 cm anpassen, bis Sie eine stabile und genaue Bühnenabbildung wahrnehmen. Wenn Sie eine absolut exakte Einstellung wünschen, wenden Sie sich für eine professionelle Einmessung an Ihren Axton-Händler.

Die Time Alignment-Einstellungen gelten auch für die entsprechenden Vorverstärkerausgänge.

## Input EQ/Eingangs-Equalizer



Je nach Quelle kann es notwendig sein, das Eingangssignal zu glätten, um ein genaues Tonsignal zu erhalten. Dies kann vor allem bei Fahrzeugen mit einem einfachen OE-Lautsprechersystem ohne separate Hochtöner erforderlich sein. Einige der OE-Headunits dieser Fahrzeuge sind mit einem extremen Hochtonpegel versehen, um mehr Hochton aus dem Breitbandlautsprecher zu erhalten.

Sie können den Eingangs-EQ für jede Quelle separat einstellen.

Sie können die Verstärkung von -15 dB bis + 15 dB einstellen.

F0 steht für die Frequenz, die Sie einstellen möchten. Sie können für jedes Band eine Frequenz zwischen 20 und 20'000 Hz wählen.

Der Q-Faktor (Q) bestimmt die Wirkung des EQ-Filters (Bandbreite) auf das Frequenzband um die gewählte Mittenfrequenz f0.

**Beispiel 1:** f0 = 1000 Hz

Gewünschte Bandbreite des EQ Filters = 1000 Hz (entspricht 500 Hz – 1500 Hz)

Q = 1

**Beispiel 2:** f0 = 1000 Hz

Gewünschte Bandbreite des EQ Filters = 200 Hz (entspricht 900 Hz – 1100 Hz)

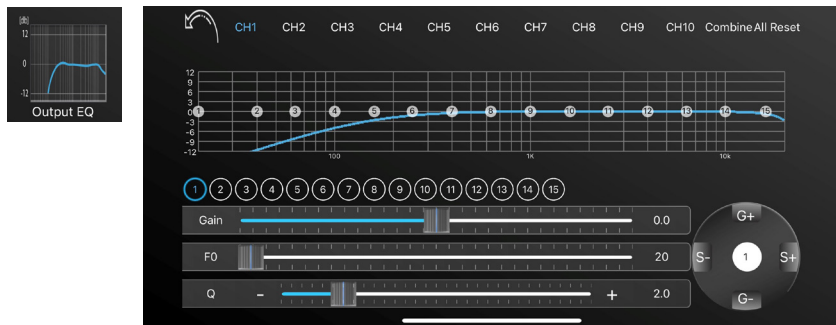
Q = 5

Es sind Q-Faktor Werte von 0.3 bis 9.9 möglich.

## Noise Gate/Rauschfilter

Die Funktion "Noise" dient dazu, das Grundrauschen des Hauptgeräts zu reduzieren. Wenn Hintergrundgeräusche des Hauptgeräts hörbar sind, erhöhen Sie den Noise Gate-Pegel, indem Sie ihn nach links schieben, bis das Geräusch verschwindet. Beachten Sie bitte, dass ab einem bestimmten Wert auch die Musikqualität leidet.

## Output EQ/Ausgangs-Equalizer



Sie können Ihren Sound entsprechend Ihren Einstellungen im EQ-Menü gestalten. Je nach dem Grad der erforderlichen Genauigkeit können Sie bis zu 15 Bänder des parametrischen Equalizers einstellen.

F0 steht für die Frequenz, die Sie einstellen möchten. Sie können für jedes Band eine Frequenz zwischen 20 und 20'000 Hz wählen. Es erscheint ein Pop-up-Fenster, in das Sie den Wert der gewünschten Mittenfrequenz eingeben können. Bestätigen Sie mit „Ok“.

Tippen Sie in der Zeile "Q" auf das Band, das Sie einstellen möchten. Es erscheint ein Pop-up-Fenster, in das Sie den Wert des gewünschten Q-Faktors eingeben können. Bestätigen Sie mit "Ok". Stattdessen können Sie auch "-" oder "+" antippen, um den Q-Faktor in 0,1-Schritten einzustellen. Der Q-Faktor (Q) bestimmt die Wirkung des EQ-Filters (Bandbreite) auf das Frequenzband um die gewählte Mittenfrequenz f0.

**Beispiel 1:**  $f_0 = 1000$  Hz

Gewünschte Bandbreite des EQ Filters = 1000 Hz (entspricht 500 Hz – 1500 Hz)

Q = 1

**Beispiel 2:**  $f_0 = 1000$  Hz

Gewünschte Bandbreite des EQ Filters = 200 Hz (entspricht 900 Hz – 1100 Hz)

Q = 5

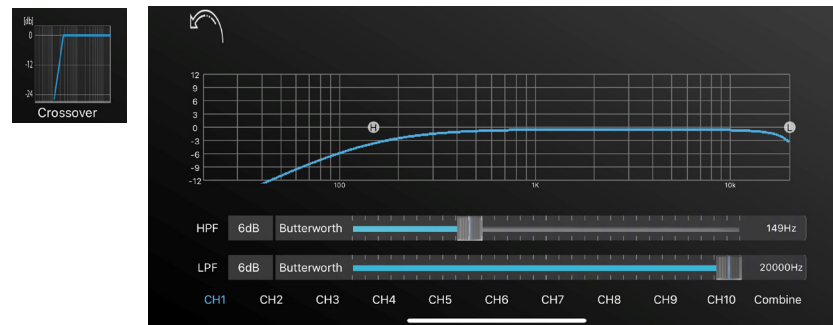
Es sind Q-Faktor Werte von 0.3 bis 9.9 möglich.

Bei Bedarf können Sie unabhängige Equalizer-Einstellungen für jeden Kanal einzeln oder für alle linken und rechten Kanäle zusammen wählen. Verwenden Sie einfach die Schaltfläche "Kombinieren" oben rechts und wählen Sie, ob Sie die Werte von den linken Kanälen auf den rechten oder von rechts nach links kopieren möchten.

Um alle Einstellungen auf "0" zurückzusetzen, tippen Sie auf die Schaltfläche „Restore All (Alles zurücksetzen)“ in der oberen rechten Ecke. Wenn Sie die Voreinstellungen nur ausprobieren und dann zu Ihren persönlichen Einstellungen zurückkehren möchten, beenden Sie die App, ohne sie zu speichern, und starten Sie sie dann neu. Die App wird dann Ihre gespeicherten Einstellungen vom Verstärker laden.

Die EQ-Einstellungen gelten auch für die entsprechenden VorverstärkerAusgänge.

## Crossover/Frequenzweiche



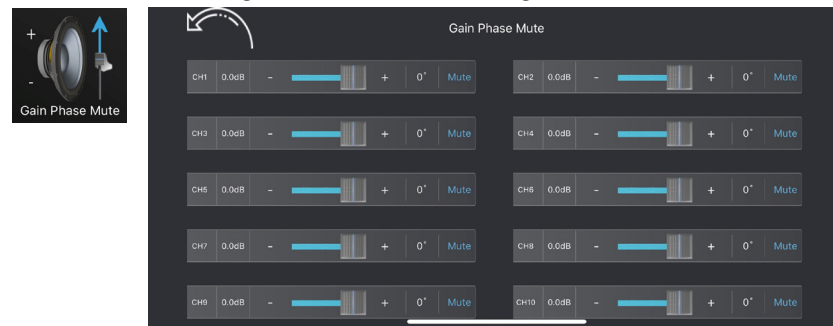
In diesem Menü können Sie den angeschlossenen Lautsprechern ein Frequenzband zuweisen, das ihrem empfohlenen Frequenzbereich entspricht. Sie können unabhängige Frequenzweicheneinstellungen für jeden Kanal einzeln oder für alle linken und rechten Kanäle zusammen wählen. Verwenden Sie einfach die Schaltfläche "Kombinieren" unten rechts und wählen Sie, ob Sie die Werte von den linken Kanälen auf den rechten oder von rechts nach links kopieren möchten.

In der Zeile "HPF" unterhalb des Diagramms können Sie die Flankensteilheit des Hochpassfilters (OFF, 6 dB, 12 dB, 18 dB und 24 dB) sowie die Filtercharakteristik (Butterworth, Bessel, Linkwitz) und die Schnittfrequenz einstellen.

In der Zeile "LPF" unterhalb des Diagramms können Sie die Flankensteilheit des Tiefpassfilters (OFF, 6 dB, 12 dB, 18 dB und 24 dB) sowie die Filtercharakteristik (Butterworth, Bessel, Linkwitz) und die Eckfrequenz einstellen.

Die blaue Linie im Diagramm zeigt die eingestellte Steilheit des Filters. Die Einstellung der Flankensteilheit auf "OFF" bedeutet, dass das Signal ungefiltert ist und alle Frequenzen enthält. Die Filtereinstellungen gelten auch für die entsprechenden VorverstärkerAusgänge.

## Gain Phase Mute/Pegel Phase Stummschaltung



In diesem Menü können Sie die folgenden Einstellungen für jeden einzelnen Kanal vornehmen: Lautstärke, Stummschaltung und Phase.

Stellen Sie die Verstärkung mit dem Schieberegler oder mit den Tasten +/- ein.

Tippen Sie auf 0, um zwischen Phase 0 Grad oder 180 Grad (umgekehrte elektrische Phase) umzuschalten.

Tippen Sie auf Mute, um den Kanal ein- oder stummzuschalten.

Die Einstellungen für Gain/Phase/Mute gelten auch für die entsprechenden VorverstärkerAusgänge.

## WARRANTY CONDITIONS + LIMITATIONS

### What products are covered by AXTON's limited Warranty?

The limited Warranty (the "Warranty") applies to AXTON products purchased from an authorized dealer by end customers in the European Economic Area or Switzerland ("Territorial Scope").

### What is the validity period of AXTON's Warranty?

Under this Warranty, AXTON warrants, for a period of 2 years, that the product is free from defects in material and/or workmanship at the time of the original purchase. This 2-year period commences on the date of the original purchase as per the original invoice or until receipt. If you have purchased the product as a consumer, and the defect is identified within the first six months after the original purchase (see above), we will assume that the defect already existed at the time of purchase.

### Who can claim under the Warranty?

AXTON grants the limited Warranty to natural persons only, who purchased the relevant product primarily for personal use.

### What is covered by the Warranty?

AXTON warrants that the product is free from defects in material and/or workmanship at the time of the original purchase. AXTON does not, however, provide a warranty covering every defect and damage that may occur. It only covers the hardware components of the device, and in no event the software used with the device, regardless if this was provided by AXTON or the third-party vendor. The Warranty therefore does not cover the following cases, in particular:

- normal wear and tear (such as to surfaces and protective coverings);
- superficial damage, such as scratches, dents, and damaged plastic, worn or mechanically defective connections;
- misuse, including any treatment resulting in physical or superficial damage, such as a cosmetic defect, to the product;
- damage caused by connecting or using the product for a purpose other than those specified, or a failure to observe the operating and/or installation instructions for the particular model;
- installation or use of the product contrary to the applicable technical standards, or the safety regulations in the country in which the product is installed or used;
- damage caused through an unauthorized attempted repair, or an attempted repair by someone other than a AXTON authorized service partner;
- damage caused by modifications to the product not expressly authorized by the manufacturer;
- damage caused by malicious code ("Software Viruses") or by using software not supplied with the product or which was incorrectly installed;
- use of third party vendor software programs for editing, modifying, adapting, or extending AXTON's authorized software components as are run on the product;
- use of third-party vendor firmware/operating system software
- damage caused by liquids or chemicals of whatever type, and/or excessive temperatures, moisture, or damp;
- accidents, drops or other such effects of extreme accelerating forces;
- damage caused by lightning strikes, electrostatic charge, incorrect operating voltage, water, fire, force majeure, inadequate ventilation for other reasons for which AXTON is not responsible;
- damage caused by using the device outside of the defined specifications;
- damage caused by using the product with other systems or devices, which are not designed to be used with this product;
- adjustments or modifications without AXTON's prior written approval, including product upgrades extending beyond the specifications or characteristics described in the operating manual;
- modifications of the product for the purpose of adapting it to national or local technical norms or safety standards of countries for which the product was not expressly designed or manufactured;
- using service or spare parts not produced or distributed by AXTON;
- using the product in connection with accessories not approved for use with this product;

AXTON, moreover, does not warrant (expressly, implicitly, statutorily, or otherwise) the quality, performance, reliability or suitability of the product for a particular purpose except as described, nor the software/firmware installed on the device ex works.

No warranty service will be provided, moreover, if the model number

/serial number/UUID/product number on the product is changed, erased, made illegible or removed. The same applies if the receipt or invoice is incomplete and/or illegible when presented.

### Is AXTON liable for other defects or damage?

AXTON will repair or replace products, only if they are covered by the terms of this Warranty. AXTON is not liable for any material or intangible loss or damage such as the price paid for the product, loss of profits, revenue, data, or relating to the enjoyment of the product or components associated with it, arising directly or indirectly under this Warranty or otherwise in relation to products or services. This likewise applies to loss or damage relating to the impairment or operational failure of the product, or devices associated with it, caused by defects or the non-availability of the product during the time it is with AXTON or AXTON's service partner, as well as to periods of downtime and business interruptions. In addition, AXTON does not accept any liability for shipment-related risks - such as the loss or destruction of the product - in connection with the fulfilment of the Warranty.

This disclaimer applies to losses of damage irrespective of the legal basis, especially on the grounds of negligence, other wrongful conduct (torts), breach of contract, express or implied guarantees, and strict liability (even if AXTON or its service partner has been advised of the possibility of such damage occurring).

If these disclaimers are prohibited or limited under the applicable law, AXTON will limit its Warranty and liability to the extent permissible under the applicable regulations. For example, some national laws prohibit the exclusion or limitation of damages payable in connection with negligence, gross negligence, willful wrongdoing, deceitful conduct, and other such acts. For the duration of this Warranty, all liability that cannot be excluded completely will be limited to the extent permissible under the applicable law. Liability under this Warranty is limited to the price paid for the product. If the applicable law only permits higher limits on any liability, this higher limitation will apply.

### How do I exercise my Warranty rights?

If you want to exercise your entitlements under this Warranty, please contact the authorized dealer where the product was purchased, and present it with the original copy of the till receipt or invoice. Do not return any products to AXTON directly, otherwise our Warranty obligations cannot be fulfilled. You will find the name of the relevant dealer or reseller on your proof of purchase.

Defective devices sent by the authorized dealer to the service center, must also be accompanied by any accessories with a logical connection to the observed fault. This means, for example, the navigation package on an SD or microSD card supplied or purchased with the device, if problems or functional errors were observed in connection with the navigation function.

### How will AXTON fulfil its Warranty?

AXTON or its service partner will choose to either repair or replace the product or its defective parts covered by the Warranty, and assume the costs of material and labor in doing so.

Repairs under the Warranty must be carried out by AXTON or its authorized service partner. Products that are repaired or replaced may contain new and/or refurbished components and devices. Components that are swapped out will become the property of AXTON.

### Will I incur any costs in connection with the Warranty service?

AXTON assumes the costs of material and labor in connection with its Warranty service. The Warranty holder is responsible for the costs of shipment and bears the risks connected with the shipment (see above). If the product is found to be operating faultlessly, or there is no warranty entitlement because the warrant period has expired or for any other reason, AXTON or its authorized service partner will be entitled to charge a flat-rate investigation fee of €30.00.

### Do this Warranty affect my statutory or contractual rights?

This Warranty is made voluntarily by AXTON, and it will, in any case, extend your statutory rights. As a consumer, you remain fully entitled to your statutory rights, such as the statutory guarantee. This Warranty also has no effect whatsoever on your contractual rights against the reseller. You may continue to exercise these rights in full.

## GARANTIE-BESTIMMUNGEN + EINSCHRÄNKUNGEN

### Für welche Produkte gilt die begrenzte Herstellergarantie von AXTON?

Die begrenzte Herstellergarantie (im Weiteren als „Garantie“ bezeichnet) gilt für Produkte von AXTON, die Endkunden im Europäischen Wirtschaftsraum oder der Schweiz („räumlicher Geltungsbereich“) von einem autorisierten Fachhändler erwerben.

### Für welchen Zeitraum gewährt AXTON die Garantie?

Mit dieser Garantie gewährt AXTON für den Zeitraum von 2 Jahren, dass das Produkt zum Zeitpunkt des Ersterwerbs keine Material- und/oder Verarbeitungsfehler aufweist. Maßgeblich für den Beginn des 2-Jahres-Zeitraumes ist das Datum des Ersterwerbs gemäß Originalrechnung bzw. des Kassenbeleges. Wenn Sie das Produkt als Verbraucher erworben haben und der Fehler innerhalb der ersten sechs Monate nach dem Ersterwerb (s.o.) auftritt, gehen wir davon aus, dass der Fehler bereits zum Zeitpunkt des Erwerbs vorlag.

### Wer kann die Garantie in Anspruch nehmen?

AXTON gewährt die begrenzte Herstellergarantie ausschließlich natürlichen Personen, die das entsprechende Produkt überwiegend zur privaten Nutzung erworben haben.

### Was wird von der Garantie umfasst?

AXTON garantiert, dass das Produkt zum Zeitpunkt des Ersterwerbs keine Material- und/oder Verarbeitungsfehler aufweist. AXTON kann allerdings nicht für sämtliche, möglicherweise auftretenden Fehler und Schäden eine Garantie übernehmen. Diese erstreckt sich ausschließlich auf die Hardwarekomponenten des Geräts und keinesfalls auf die auf dem Gerät zum Einsatz kommende Software, gleichgültig, ob diese von AXTON selbst oder Drittanbietern stammt. Insbesondere folgende Fälle sind daher von einer Garantieleistung ausgeschlossen:

- normale Abnutzung und üblicher Verschleiß (z.B. bei Oberflächen und Schutzbeschichtungen);
- oberflächliche Schäden, wie Kratzer, Dellen und beschädigter Kunststoff, abgenutzte bzw. mechanisch defekte Anschläge;
- unsachgemäßer Gebrauch, einschließlich einer Behandlung, die physische oder Oberflächenschäden wie z.B. Schönheitsfehler am Produkt zur Folge haben;
- Schäden durch Anschluss an oder Nutzung des Produktes für einen anderen als seinen vorgesehenen Zweck oder Nichtbeachtung der modellspezifischen Bedienungs- oder/und Installationsanleitungen;
- Installation oder Nutzung des Produkts entgegen den geltenden technischen Standards oder den Sicherheitsvorschriften im Land, in dem das Produkt installiert oder verwendet wird;
- Schäden durch nicht autorisierte Reparaturversuche oder Reparaturversuche durch andere als einen autorisierten AXTON Servicepartner;
- Schäden durch nicht vom Hersteller ausdrücklich autorisierte Produktmodifikationen;
- Schäden durch Schadcode-Software („Software Virus“) oder durch Einsatz von Software, die nicht im Lieferumfang enthalten war oder die unsachgemäß installiert wurde;
- Verwendung von Drittanbieter-Softwareprogrammen zur Bearbeitung, Änderung, Anpassung oder Erweiterung der vorhandenen von AXTON autorisierten Softwarebestandteilen, die auf dem Produkt ausgeführt werden;
- Verwendung von Drittanbieter Firmware/Betriebssystem-Software
- Schäden durch Flüssigkeiten oder Chemikalien jeglicher Art und/oder übermäßige Temperaturen, Nässe oder Feuchtigkeit;
- Unfall, Sturz oder sonstige Einwirkung von extremen Beschleunigungskräften;
- Schäden, die durch Blitzschlag, elektrostatische Entladungen, inkorrekte Betriebsspannung, Wasser, Feuer, höhere Gewalt, unzureichende Belüftung oder andere von AXTON nicht zu verantwortende Gründe entstanden sind;
- Schäden, die durch Nutzung des Gerätes außerhalb der vorgegebenen Spezifikationen hervorgerufen werden;
- Schäden durch Verwendung des Produkts mit anderen Systemen oder Geräten, die nicht auf diesem Produkt ausgelegt sind;
- Anpassungen oder Änderungen ohne vorherige schriftliche Zustimmung von AXTON, einschließlich Upgrades des Produkts über die Spezifikationen oder Merkmale hinaus, welche in der Bedienungsanleitung beschrieben sind;
- Modifikationen des Produkts, um es an nationale oder örtliche technische Normen oder Sicherheitsstandards in Ländern anzupassen, für die das Produkt nicht ausdrücklich vorgesehen und hergestellt wurde;
- Einsatz von Service- bzw. Ersatzteilen, die nicht von AXTON gefertigt oder vertrieben werden;
- Benutzung des Produkts in Verbindung mit Zubehör, das nicht für die Verwendung mit diesem Produkt zugelassen wurde;

AXTON übernimmt außerdem keine Garantie (weder ausdrücklich, stillschweigend, gesetzlich oder anderweitig) für die Qualität, Leistung, Genauigkeit, Zuverlässigkeit oder Eignung des Produktes für einen bestimmten Zweck außerhalb des von uns beschriebenen Verwendungszwecks, oder der sich ab Werk auf dem Gerät befindlichen Software / Firmware.

Garantieleistungen können außerdem nicht erbracht werden, wenn die Modell-/Serien-/UUID- Produktnummer auf dem Produkt geändert, gelöscht, unkenntlich gemacht oder entfernt wurde. Gleiches gilt, wenn der Kassenbeleg oder die Rechnung nicht, nur unvollständig und/oder unleserlich vorgelegt werden.

### Haftet AXTON für weitergehende Fehler oder Schäden?

AXTON verpflichtet sich unter dieser Garantie nur zur Reparatur oder zum Austausch von Produkten, die diesen Garantiebedingungen unterliegen. AXTON ist nicht haftbar für Verluste oder Schäden materieller oder immaterieller Art wie Kaufpreis, Gewinneinbußen, Einnahmeverlust, Datenverlust, immaterielle Schäden oder für Schäden resultierend aus der Nichtverfügbarkeit des Produkts oder zugehöriger Komponenten, die direkt, indirekt oder als Folge von Produkten bzw. Dienstleistungen dieser Garantie oder anderweitig erwachsen können. Das gilt für Verluste oder Schäden durch Beeinträchtigung oder Ausfall der Funktion des Produkts oder damit verbundene Geräte durch Defekte bzw. durch die Nichtverfügbarkeit des Produkts, während es sich bei AXTON oder dem Service Partner befindet, Ausfallzeiten und geschäftliche Beeinträchtigungen. Außerdem übernimmt AXTON keine Haftung für Transportrisiken wie beispielsweise Verlust oder Zerstörung im Zusammenhang mit Garantieleistungen. Diese Haftungsbeschränkung gilt für Verluste und Schäden gleich aus welchem Rechtsgrund, insbesondere auf Grund von Fahrlässigkeit, unerlaubter Handlung, Vertragsbruch, ausdrückliche oder stillschweigende Garantien und Gefährdungshaftung (selbst wenn AXTON oder der Servicepartner auf die Möglichkeiten solcher Schäden hingewiesen wurden).

Falls diese Haftungsausschlüsse geltendem Recht ganz oder teilweise widersprechen, begrenzt AXTON die Garantieleistung bzw. die Haftung soweit dies nach geltenden Vorschriften zulässig ist. Beispielsweise untersagen einige Ländergesetze den Ausschluss oder die Einschränkung der Schadenersatzhaftung wegen Fahrlässigkeit, grober Fahrlässigkeit, vorsätzlichem Fehlverhalten, Betrug und ähnlichen Handlungen. Jede Haftung, die nicht vollständig ausgeschlossen werden kann, wird auf die Dauer dieser Garantie begrenzt, sofern das geltende Recht dies zulässt. Die Haftung im Rahmen dieser Garantie ist der Höhe nach auf den Kaufpreis des Produkts beschränkt. Sieht das geltende Recht nur höhere Haftungsgrenzen vor, gilt diese höhere Haftungsgrenze.

### Was muss ich unternehmen, um Garantieleistungen zu erhalten?

Falls Sie Leistungen nach dieser Garantie in Anspruch nehmen möchten, wenden Sie sich bitte unter Vorlage des Kassenbelegs bzw. der Rechnung im Original direkt an den autorisierten Fachhändler, bei dem das Produkt erworben wurde. Bitte senden Sie keine Produkte direkt an AXTON. Eine Garantieleistung ist dann nicht möglich. Den zuständigen Fachhändler oder Verkäufer entnehmen Sie bitte Ihrem Kaufbeleg. Das durch den autorisierten Händler an die Servicestelle eingesendete Gerät mit Fehlfunktion muss außerdem jene Zubehörteile enthalten, die in einem logischen Bezug zum beobachteten Fehlerbild stehen. Also z.B. mit dem Gerät ausgeliefertes oder erworbenes Zubehör, wenn Probleme oder Funktionsstörungen damit zusammenhängend beobachtet wurden.

### In welcher Form erbringt AXTON die Garantie?

AXTON bzw. der Servicepartner werden das Produkt bzw. dessen defekte Teile im Geltungsbereich der Garantie unter Übernahme der Arbeits- und Materialkosten nach eigenem Ermessen und entsprechend der vorliegenden Bedingungen reparieren oder austauschen. Garantiereparaturen müssen durch den autorisierten Servicepartner oder AXTON selbst durchgeführt werden. Reparierte oder ausgetauschte Produkte können neue und/oder aufgearbeitete Komponenten und Geräte enthalten. Ausgetauschte Komponenten gehen in das Eigentum von AXTON über.

### Welche Kosten sind mit einer Garantieleistung für mich verbunden?

AXTON übernimmt die Material- und Arbeitskosten im Zusammenhang mit einer Garantieleistung. Die Kosten des Versands sowie die mit dem Versand zusammenhängenden Risiken (s.o.) trägt der Garantiennehmer. Sollte sich herausstellen, dass das Produkt fehlerfrei funktioniert oder dass ein Garantieanspruch wegen Ablaufs der Garantiezeit oder aus einem anderen Grund nicht besteht, sind AXTON bzw. seine autorisierten Servicepartner befugt eine pauschale Untersuchungsgebühr i.H.v. 30,- € zu berechnen.

### Wenden meine gesetzlichen oder vertraglichen Rechte durch diese Garantie eingeschränkt?

Die vorliegende Garantie ist eine freiwillige Leistung von AXTON, die Ihre gesetzlichen Rechte allenfalls erweitert. Gesetzliche Rechte wie beispielsweise die Gewährleistung bleiben für Sie als Verbraucher in vollem Umfang bestehen. Ebenso hat diese Garantie keinerlei Auswirkungen auf ihre vertraglichen Ansprüche gegenüber dem Verkäufer selbst. Diese Rechte können Sie nach wie vor uneingeschränkt geltend machen.

### Operating Frequency / Maximum Transmitted Power

This is a class 2 product. In a domestic environment, this product may cause radio interference, in which case the user may be required to take adequate measures.

2.4 GHz – 2.48 GHz  
2.5 mW (4dBm)

### EU Declaration of Conformity

ACR Braendli + Voegeli AG hereby declares that the device is in compliance with the essential requirements and other relevant provisions of directives 2014/53/EU and 2011/65/EU. The EU declaration of conformity may be found at: <https://www.acr.eu/en/eu-product-conformity/>

### RF Exposure Information

This device meets the EU requirements (2014/53/EU Article 3.1a) on the limitation of exposure of the general public to electromagnetic fields by way of health protection.

### Safety Information

- Keep the device away from water, fire, humidity or hot environments.
- Do not attempt to disassemble, repair, or modify the device.
- Do not use damaged USB cable to operate the device.
- Do not use the device with any other systems than those recommended.
- Do not use the device where wireless devices are not allowed.

Please read and follow the above safety information when operating the device. We cannot guarantee that no accidents or damage will occur due to improper use of the device. Please use this product with care and operate at your own risk.

**Recycling:** This product bears the selective sorting symbol for Waste electrical and electronic equipment (WEEE). This means that this product must be handled pursuant to European directive 2012/19/EU in order to be recycled or dismantled to minimize its impact on the environment.

User has the choice to give his product to a competent recycling organization or to the retailer when a new electrical or electronic equipment item is purchased.

### Betriebsfrequenz / maximale Sendeleistung

Dies ist ein Produkt der Klasse 2. In einer häuslichen Umgebung kann dieses Produkt Funkstörungen verursachen; in diesem Fall kann der Benutzer aufgefordert werden, angemessene Maßnahmen zu ergreifen.

2.4 GHz – 2.48 GHz  
2.5 mW (4dBm)

### EU-Konformitätserklärung

Die ACR Braendli + Voegeli AG erklärt hiermit, dass das Gerät mit den grundlegenden Anforderungen und anderen relevanten Bestimmungen der Richtlinien 2014/53/EU und 2011/65/EU übereinstimmt.

Die EU-Konformitätserklärung finden Sie unter: <https://www.acr.eu/en/eu-product-conformity/>

### Informationen zur Funkfrequenzen-Exposition

Dieses Gerät erfüllt die EU-Anforderungen (2014/53/EU Artikel 3.1a) zur Begrenzung von Exposition der Allgemeinheit gegenüber elektromagnetischen Feldern im Sinne des Gesundheitsschutzes.

### Informationen zur Sicherheit

- Halten Sie das Gerät von Wasser, Feuer, Feuchtigkeit oder heißen Umgebungen fern.
- Versuchen Sie nicht, das Gerät zu zerlegen, zu reparieren oder zu modifizieren.
- Verwenden Sie zum Betrieb des Geräts kein beschädigtes USB-Kabel.
- Verwenden Sie das Gerät nicht mit anderen als den empfohlenen Systemen.
- Verwenden Sie das Gerät nicht an Orten, an denen drahtlose Geräte nicht erlaubt sind.

Bitte lesen und befolgen Sie die oben genannten Sicherheitshinweise, wenn Sie das Gerät benutzen. Wir können nicht garantieren, dass keine Unfälle oder Schäden durch unsachgemäßen Gebrauch des Geräts entstehen. Bitte verwenden Sie dieses Produkt mit Sorgfalt und auf eigene Gefahr.

**Recycling Hinweise:** Dieses Produkt trägt das Symbol für selektive Sortierung von Elektro- und Elektronikgeräten (WEEE). Dies bedeutet, dass dieses Produkt gemäß der europäischen Richtlinie 2012/19/EU behandelt werden muss, um recycelt oder demontiert zu werden, um die Auswirkungen auf die Umwelt zu minimieren. Der Nutzer hat die Wahl, sein Produkt einer kompetenten Recyclingorganisation zu übergeben oder an den Einzelhändler, wenn ein neues elektrisches oder elektronisches Gerät gekauft wird.

## WARRANTY SLIP / GARANTIE-KARTE

Model name:  A544DSP

Date of purchase / Kaufdatum: \_\_\_\_\_

Your name / Ihr Name: \_\_\_\_\_

Your address / Ihre Adresse: \_\_\_\_\_

City / Stadt / Ville: \_\_\_\_\_

ZIP or Postal Code / PLZ: \_\_\_\_\_

Country / Land: \_\_\_\_\_

Your Dealer:

EU Legal Representative: ACR S & V GmbH, Industriestraße 35, D-79787 Lauchringen, Germany  
Manufacturer: ACR, Brändli + Vögeli AG, Bohrturmweg 1, CH-5330 Bad Zurzach, Switzerland  
Designed and Engineered in Switzerland, Made in China



Rev. D





**CREATE  
YOUR OWN  
SOUND**